

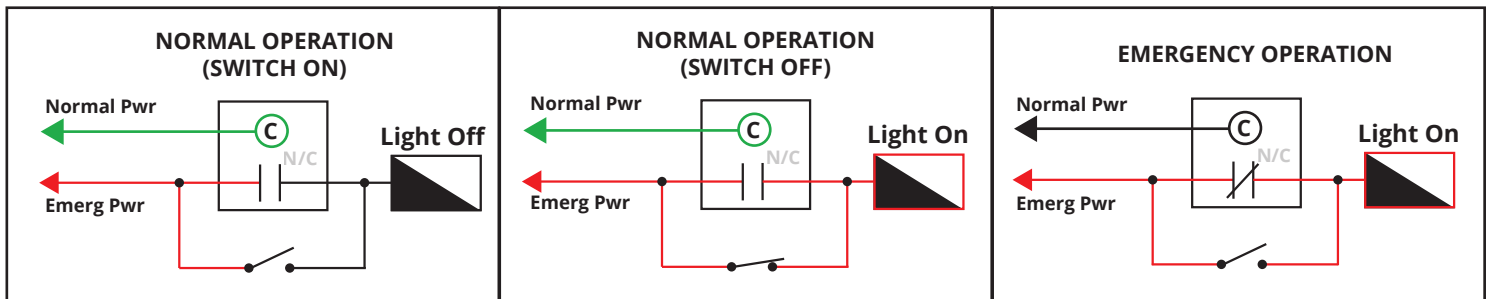
Types of Emergency Lighting Control

Shunt vs ALCR vs Transfer Switch

All emergency lighting controls perform a similar function: to permit switching and/or dimming of emergency lighting loads during normal operation and automatically bypass switching/dimming functionality during emergency operation (normal power interrupted). LVS offers three classes of device that can perform this function, depending on the application.

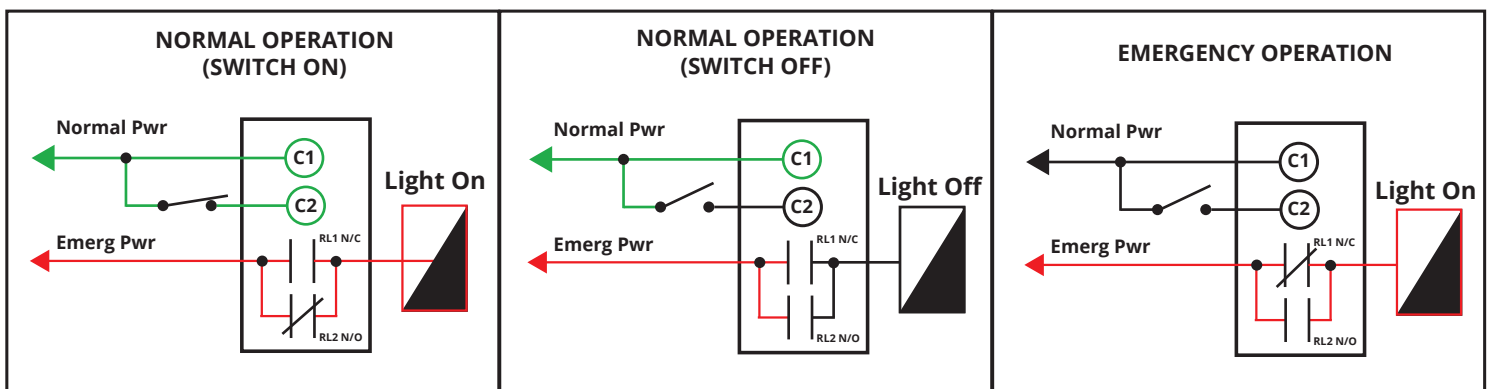
SHUNT EXAMPLE (RRU Products)

Shunt relays are the simplest and most economical emergency lighting control. However, their application requires a dedicated switch on the emergency power circuit. In other words, the same switch cannot be used to control normal AND emergency lighting simultaneously. Shunt relays always power the load from the emergency power panel. Shunt relays are best suited for wireless control applications or small rooms where all lighting in the room is emergency lighting.



ALCR EXAMPLE (EPC Products except EPC-D-F-___)

ALCR's are a significant improvement over shunt relays. Like shunt relays, they always power the load from the emergency power panel. Unlike shunt relays, ALCR's permit switching of normal lighting and emergency lighting from the same switch or control. The savings of eliminating a dedicated emergency switch typically outweighs the cost difference between an ALCR and a shunt relay. ALCR's are by far the most popular of the three types of emergency lighting control. In particular, the majority of ON/OFF and 0-10V Lighting Controls are best bypassed by an ALCR.



Types of Emergency Lighting Control

Shunt vs ALCR vs Transfer Switch

TRANSFER SWITCH EXAMPLE (EPC-D-F-___)

The most complex and powerful form of emergency lighting control is the transfer switch. Transfer switches can be used for virtually any application including switched, 0-10V dimmed, and line voltage (2-wire and 3-wire) dimmed loads. This flexibility comes at a higher cost than the other methods. Additionally, transfer switches must comply with more rigorous UL testing and standards. The key difference of transfer switches from Shunts and ALCR's is that transfer switches power the load from the normal power panel during normal operation, and the emergency power panel during emergency operation.

